

Rotating cleaning nozzle MiniSpinner 2 Series 5M3



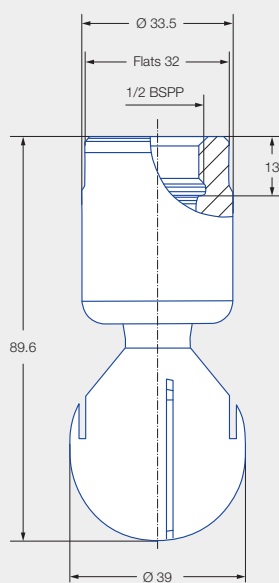
Features:

- Hygienic design
- Suitable for high temperatures
- Made entirely of stainless steel

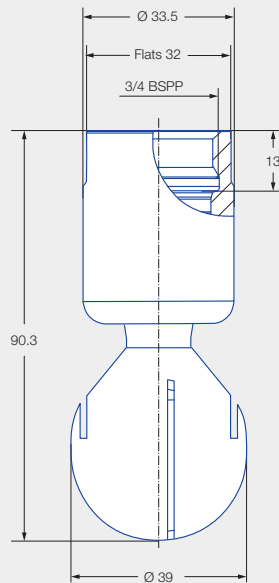


**ATEX version
on request**

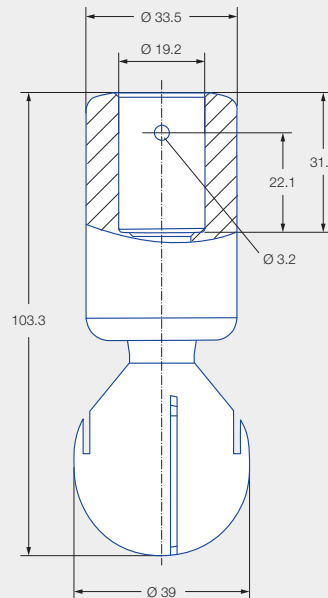
Series 5M3



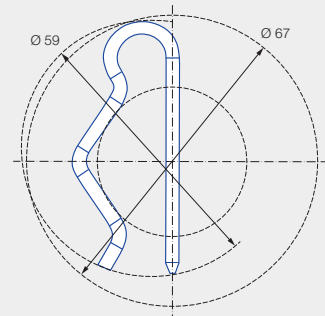
Female thread



Female thread



Dimensions of the
slip-on connection according
to ASME-BE (OD-tube)



Dimensions of the
slip-on connection
top view

Max. tank diameter [m]	0	1	2	3	4	5	6	7	8	9
------------------------	---	---	---	---	---	---	---	---	---	---



Cleaning efficiency class
2



Max. temperature
200 °C



Installation
Operating in every
direction possible



Bearing
Double ball bearing made
of stainless steel 316L



Material
Stainless steel 316L



Recommended operating pressure
2 bar


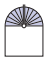




Filtration
Line strainer with a mesh
size of 0.1mm/170 mesh



Adapter
1/2 BSPP and 3/4 BSPP
are compatible with
HygienicFit



Spray angle	Ordering no.				Narrowest free cross section Ø [mm]	V̇ water [l/min]				Max. tank diameter [m]
	Type	Connection				p [bar] (p _{max} = 7 bar)				
		1/2 BSPP	3/4 BSPP	3/4"-Slip-on		1.0	2.0	3.0	at 40 psi [US gal/min]	
60° 	5M3.122.1Y	AH		TF07	2.6	45	63	77	20	-
180° 	5M3.133.1Y		AL	TF07	1.2	47	67	82	21	2.6
180° 	5M3.134.1Y		AL	TF07	1.3	47	67	82	21	2.6
360° 	5M3.999.1Y		AL	TF07	0.4	21	30	37	9	1.8
	5M3.089.1Y		AL	TF07	0.7	35	49	60	15	2.1
	5M3.139.1Y		AL	TF07	0.8	49	69	85	21	2.3
	5M3.209.1Y		AL	TF07	1.5	71	100	122	31	2.6

NPT thread, other slip-on connections, weld-on version and material 2.4602 (Alloy 22) on request.

The max. tank diameter shown above applies for the recommended operating pressure and has to be seen as a recommendation. The cleaning result is also affected by the type of soiling.

Operating with compressed air only for short-term usage. Operation above the recommended operating pressure has negative effects on the cleaning result and wear.

Information slip-on connection

- Pin made of stainless steel 316L included (Ordering no. 05M.330.1Y.00.00).
- Depending on diameter of the adapter, the flow rate increase due to leakage between connecting pipe and rotating cleaning nozzle.
- Minimum insertion diameter (with mounted pin) is 59 mm.

Example of ordering: Type + Connection = Ordering no.
5M3.122.1Y + AH = 5M3.122.1Y.AH